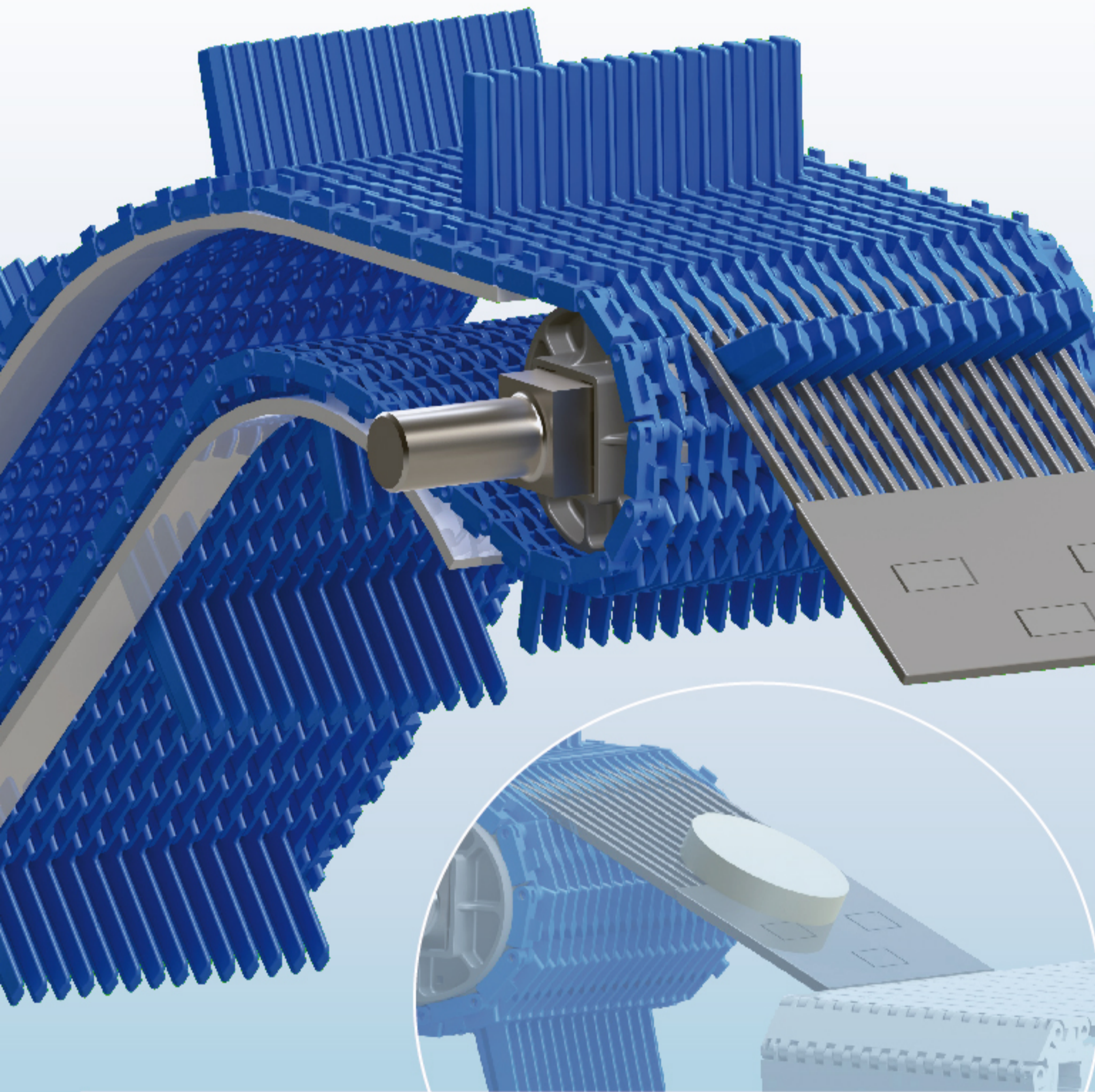


**FLIGHT AND FINGER PLATE FOR RAISED RIB BELT**

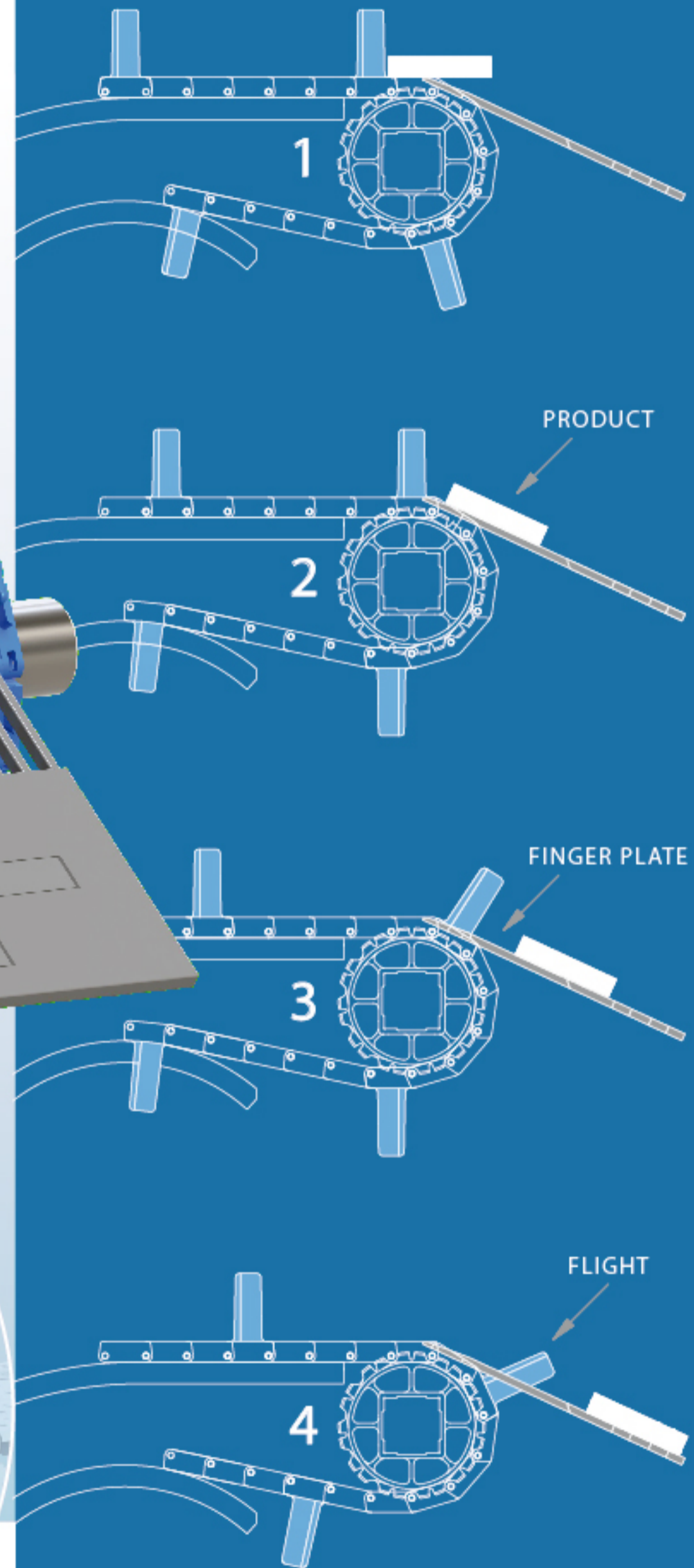
- Assures the product comes unstuck from the belt without any damage.
- Replaces free-falling transfers.



**SERIES**

**E30**

**RAISED RIB**

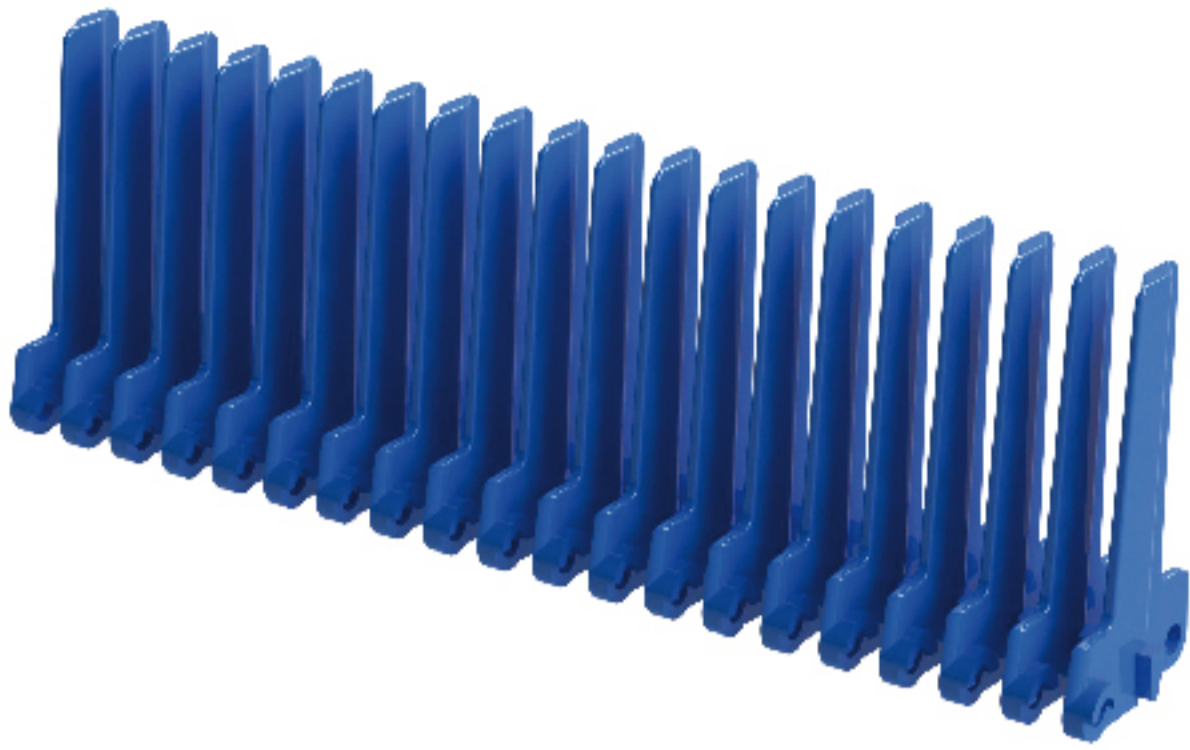


Using this system the belt passes through the finger plate and the product comes unstuck from the bottom up without pressure or scrape.

This unique combination of Raised Rib belt and grooved flight enables to elevate and transfer in-bulk or packed product without falls or cadence lost.

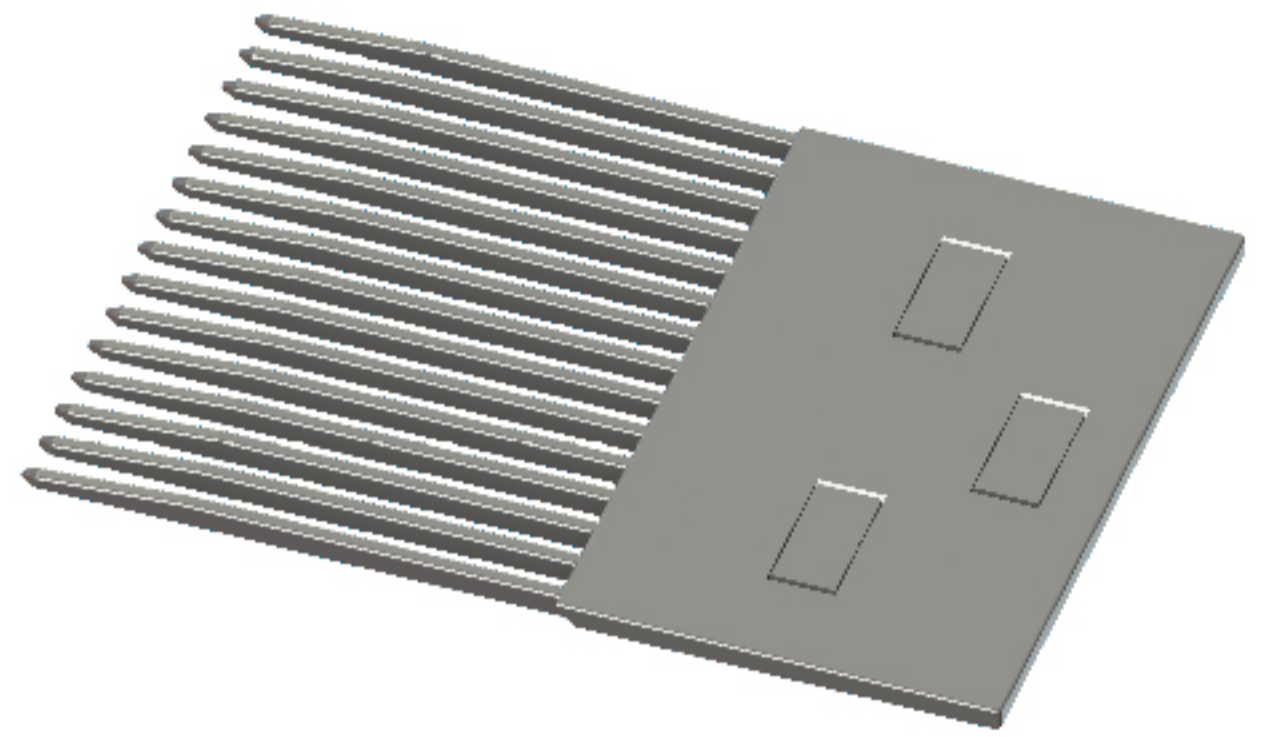
**AFTER EUROBELT S.A.**  
 Topacio,41  
 47012 Valladolid  
 Spain  
 Phone: +34 983 217 480  
 Fax: +34 983 217 481  
 email: [after@eurobelt.com](mailto:after@eurobelt.com)  
 web: [www.eurobelt.com](http://www.eurobelt.com)

## FLIGHT FOR RAISED RIB BELT



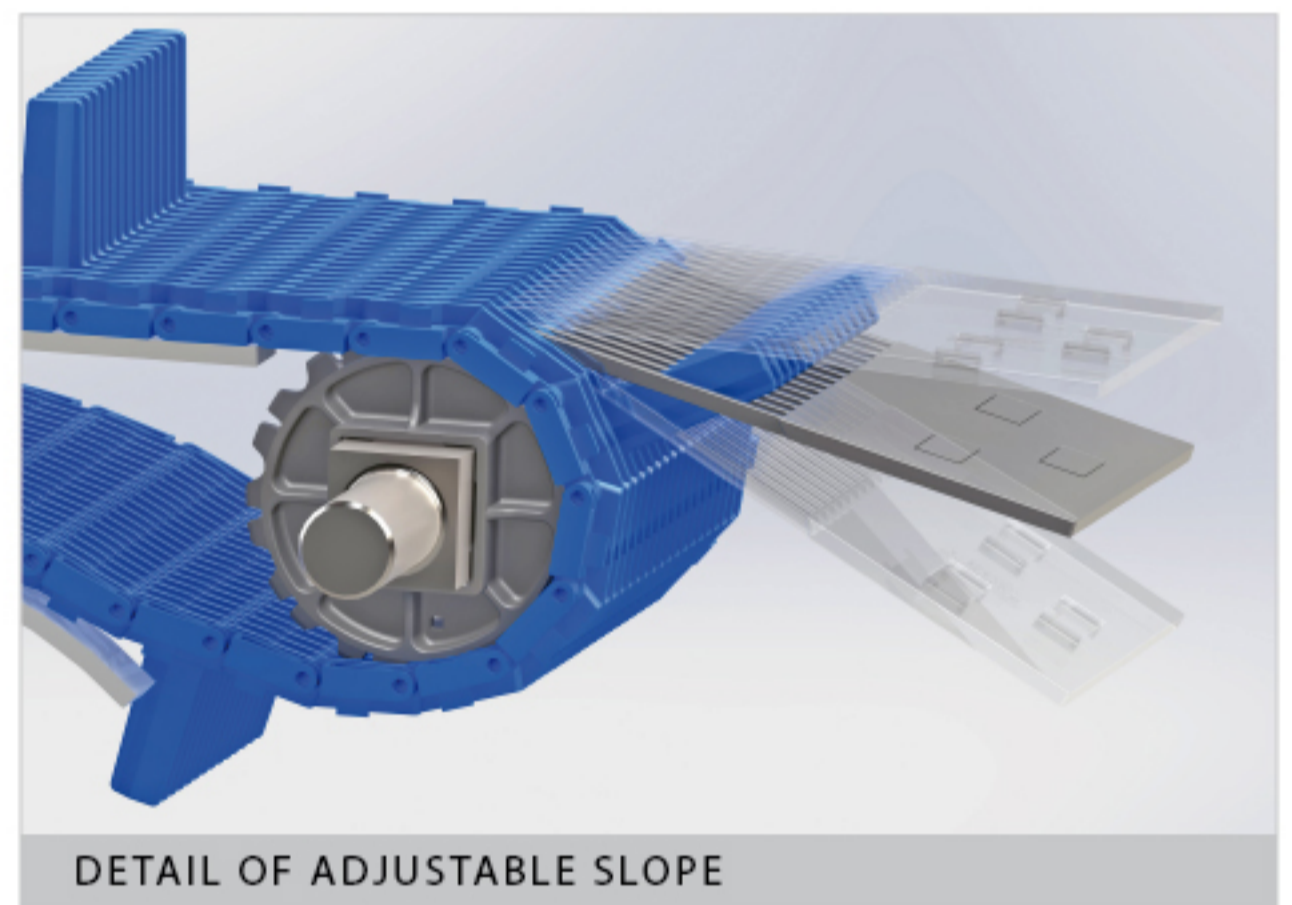
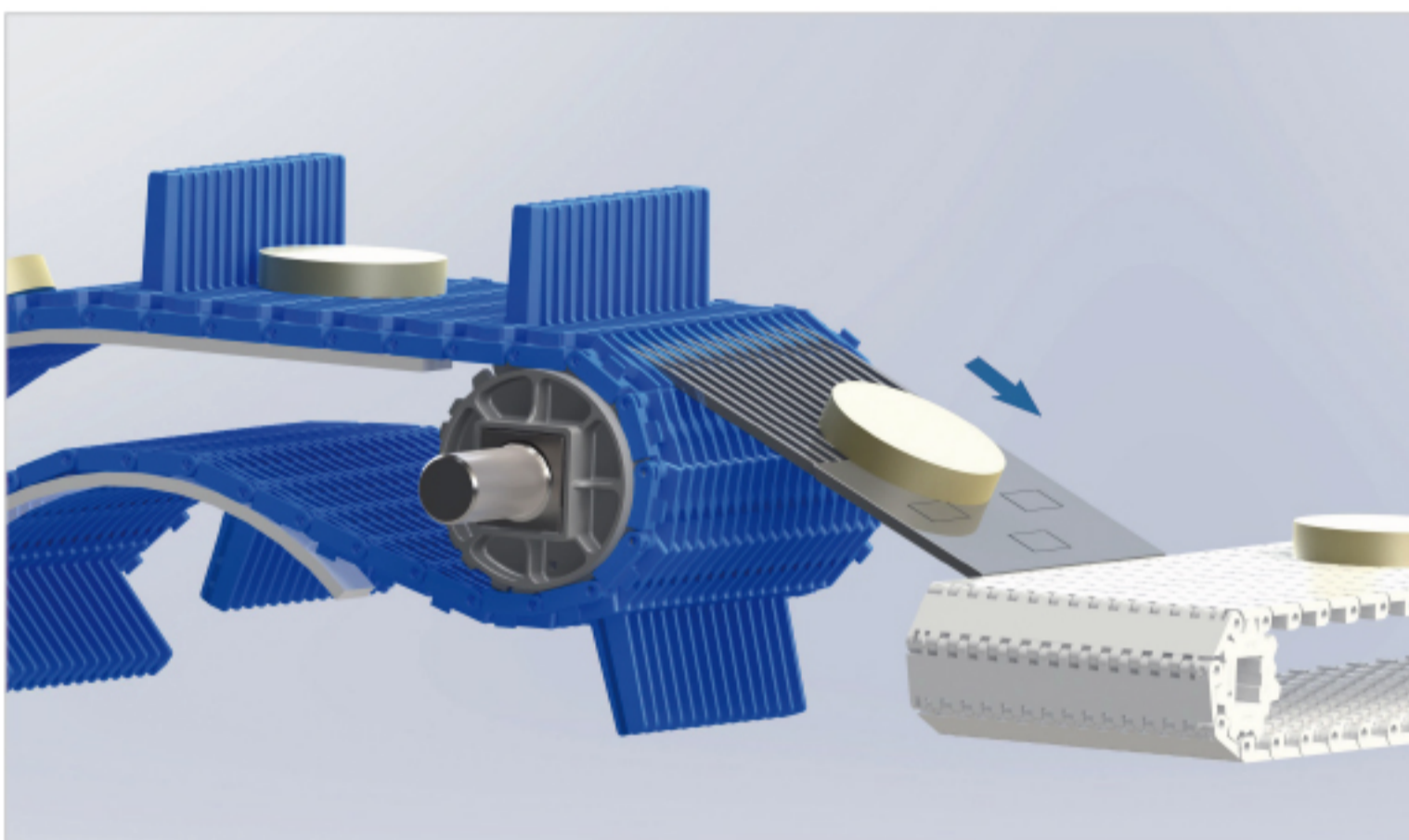
Pitch: 30 mm      Materials: Polyacetal  
Height: 50 mm

## FINGER PLATES]



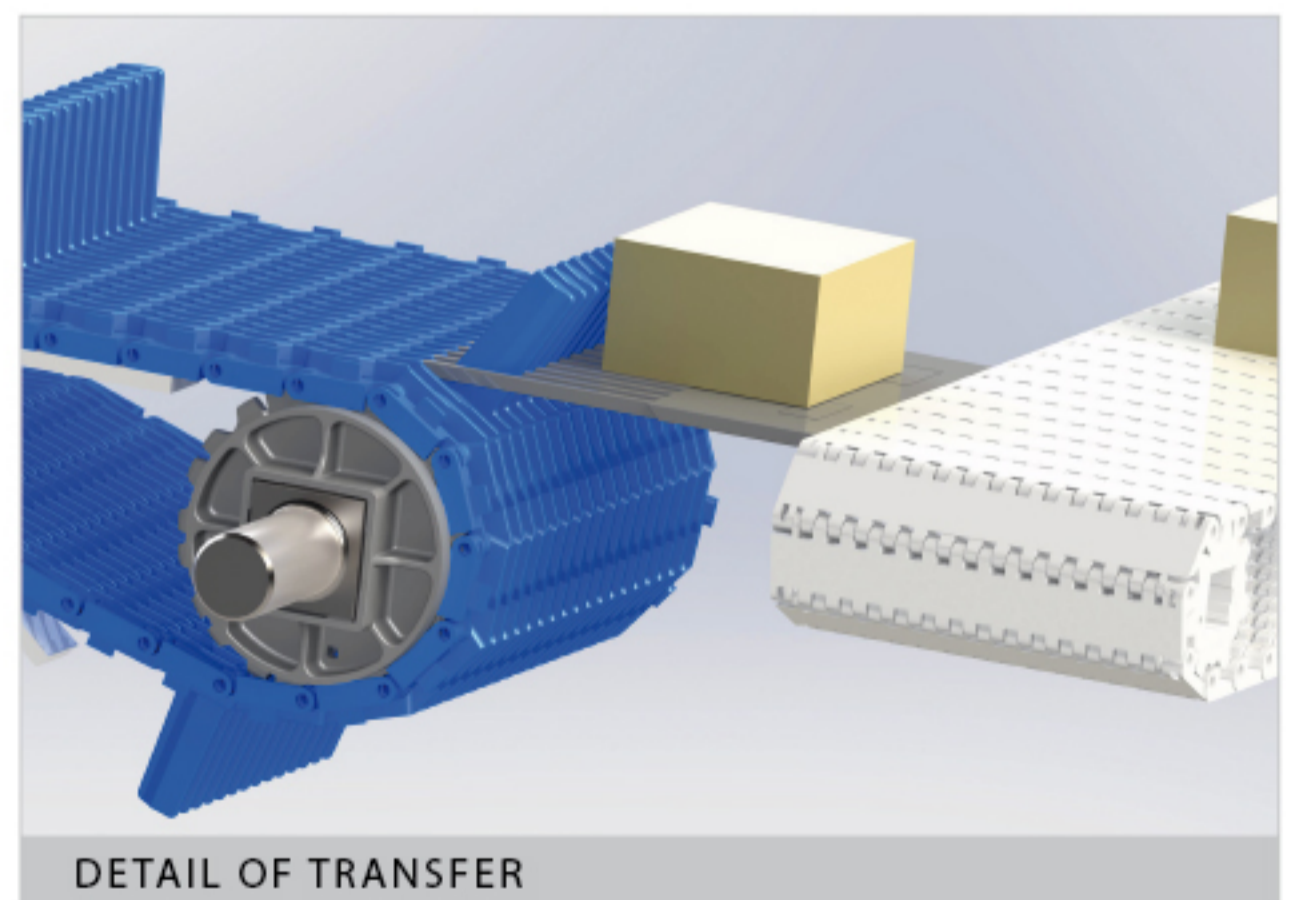
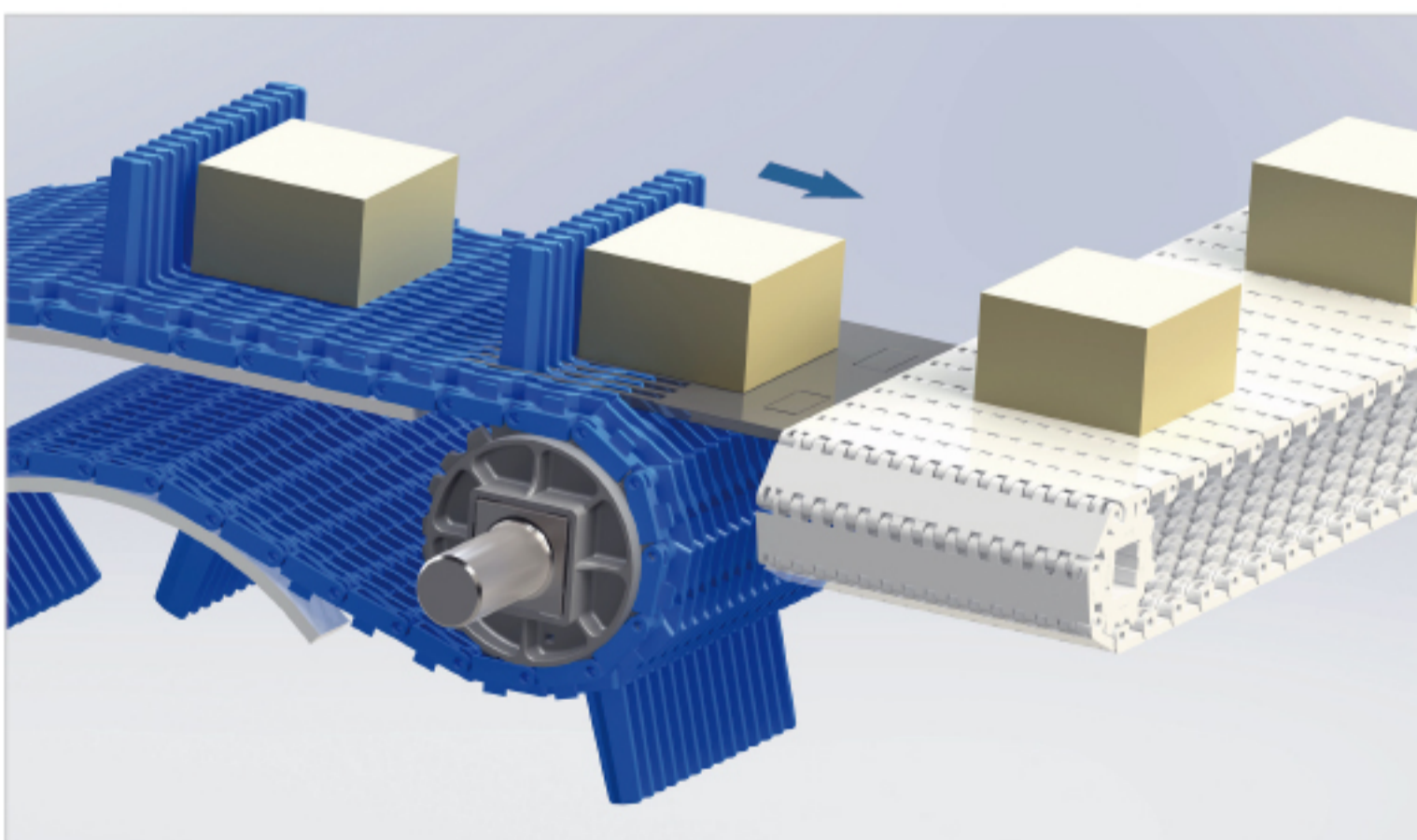
N° of teeth: 15      Materials: Polyacetal  
Dimensions: 210 x 148

## UNLOADING SYSTEM BY SLIDING



DETAIL OF ADJUSTABLE SLOPE

## UNLOADING SYSTEM BY PUSH



DETAIL OF TRANSFER

# ★ EUROBELT ★

**AFHER EUROBELT S.A.**

Topacio,41 47012 - Valladolid (Spain)

Phone: +34 983 217 480 Fax: +34 983 217 481

e-mail: [afher@eurobelt.com](mailto:afher@eurobelt.com)

web: [www.eurobelt.com](http://www.eurobelt.com)

[C1-2014]

DISTRIBUTOR:

--